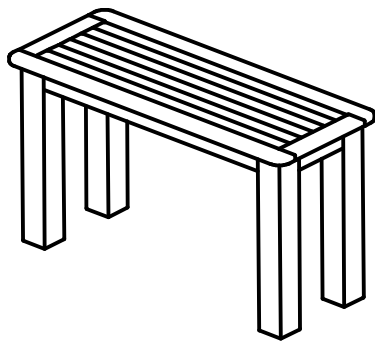
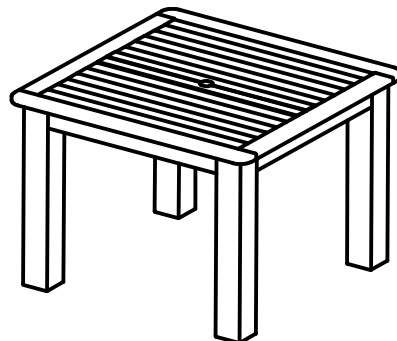


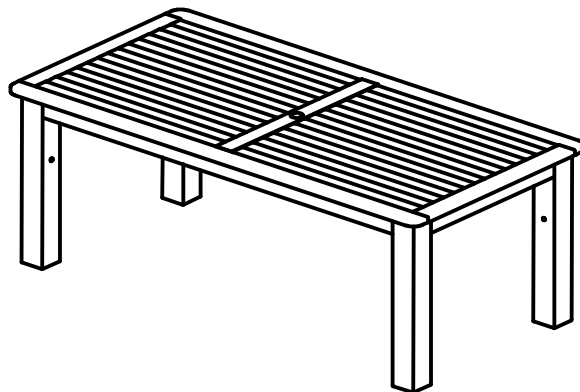
Lehigh, Weatherly, or Adirondack Collection
Rectangular, Square, or Sideboard Tables
Assembly Guide



- AD-DTB25/AD-CTB25 - 22x54 Sideboard or Counter Height Sideboard Table



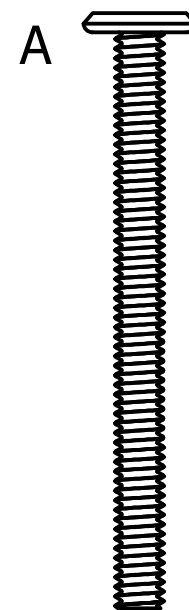
- AD-DTB44/AD-CTB44 - 42x42 Square Dining or Counter Height Dining Table



- AD-DTB37/AD-CTB37 - Rectangular 36x72 Dining or Counter Height Dining Table
- AD-DTB47/AD-CTB47 - Rectangular 42x72 Dining or Counter Height Dining Table
- AD-DTB48/AD-CTB48 - Rectangular 42x84 Dining or Counter Height Dining Table

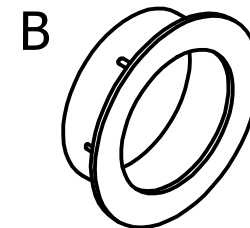
This assembly guide applies to all tables displayed above!

HARDWARE



x8

1/4\"-20 x 3\" Bolt



x1

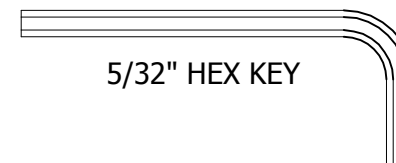
2\" Umbrella Grommet

IMPORTANT!

DO NOT fully tighten the nuts until all nuts are started. Once all nuts are started, go back & tighten all the nuts.

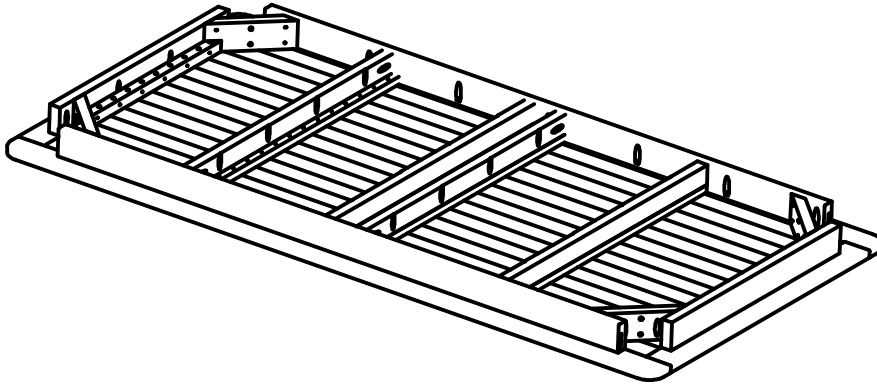
Retain these instructions for future reference

INCLUDED TOOLS

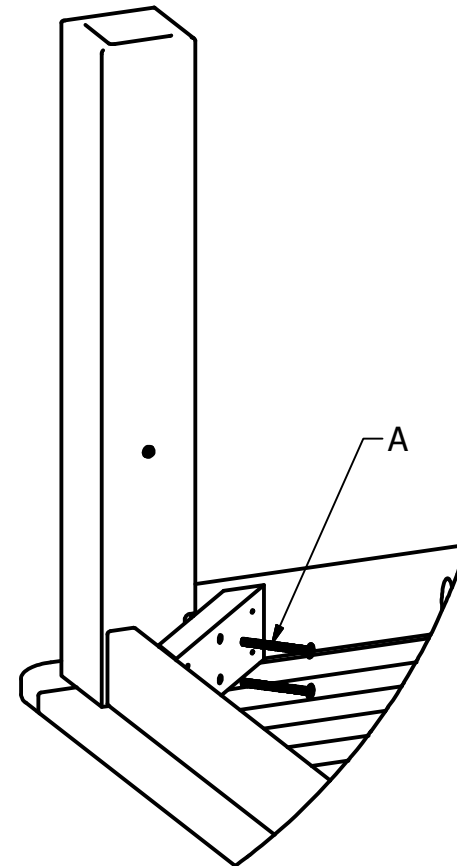
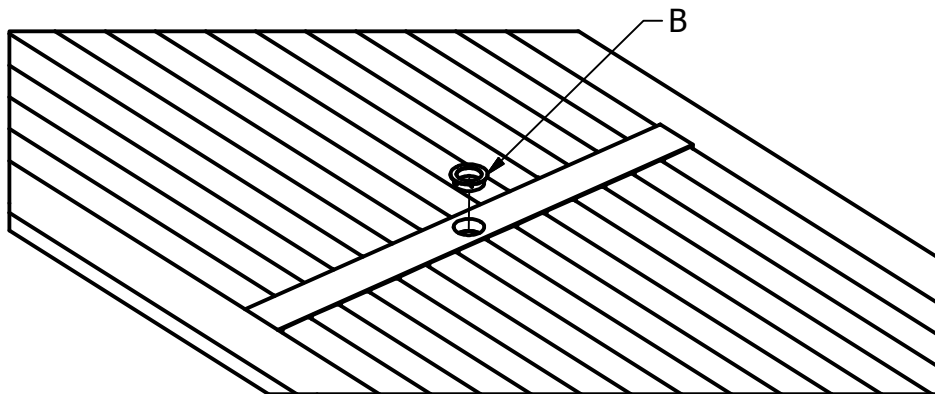


5/32\" HEX KEY

Lehigh, Weatherly, or Adirondack Collection Rectangular, Square, or Sideboard Tables Assembly Guide



1) Place the table top upside down on a soft surface.



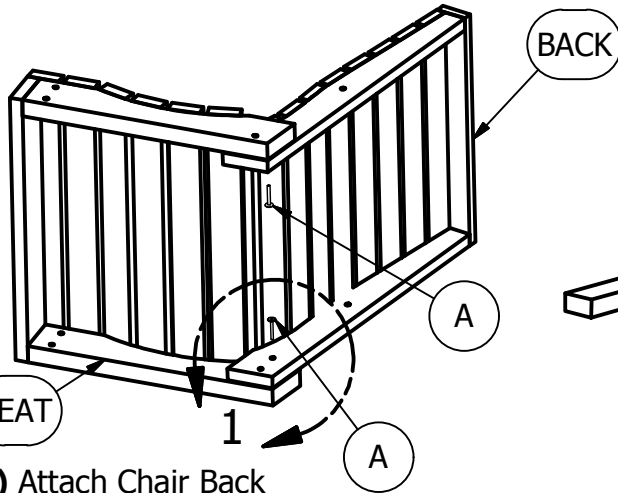
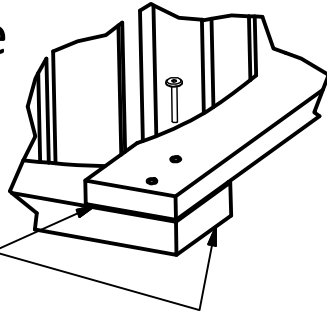
- 2) Attach leg with 2 A bolts.
- 3) Repeat for each leg.
- 4) Securely tighten all bolts, but do not over tighten.
- 5) If installing an umbrella, insert Umbrella Grommet B into center hole.

Weatherly Collection Dining Chair with Arms

Assembly Guide



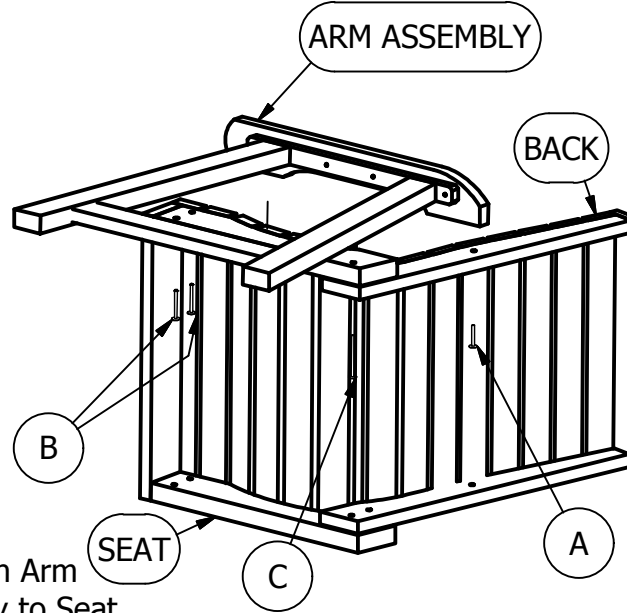
ALIGN ANGLES OF
BACK AND SEAT



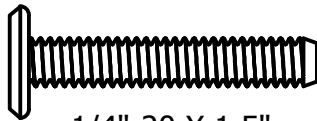
1) Attach Chair Back to Seat Using One "A" Bolt in the Upper Hole on Each Side.


2) Attach Arm Assembly to Seat Using Two "B" Bolts in Front and One "C" Bolt in Rear. Attach Arm to Back Using One "A" Bolt.

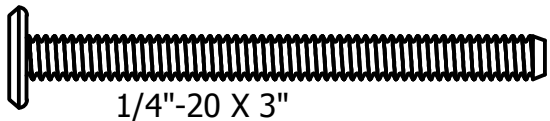
3) Repeat Step 2 on Other Side.



HARDWARE

A  x4
1/4"-20 X 1.5"

B  x4
1/4"-20 X 2"

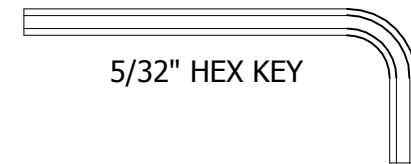
C  x2
1/4"-20 X 3"

IMPORTANT!

DO NOT fully tighten the bolts until all bolts are started. Once all bolts are inserted, go back & tighten all the bolts.

Retain these instructions for future reference

INCLUDED TOOLS



5/32" HEX KEY